

**TGB**  
*Play different*



**ATV**  
**2023MY**

## BLADE 1000 LTX EPS

Camo



Mountain grey



Matt black



## BLADE 600 LTX EPS

Camo



Matt black



## BLADE 600 SE.X EPS

Mountain grey



Candy blue



Candy black



Candy red



# BLADE 600 SLX



White



Red

# TARGET 600 EPS



Matt black

# TARGET 600



Pearl white

**TGB**  
*Play different*



# BLADE 1000



# BLADE 1000 LT



## **V-TWIN POWER TACKLE EVERY TERRAIN**

*NEXT LEVEL OF EQUIPMENT COMBINES WITH POWERFUL INNOVATION TECHNOLOGY,  
MAXIMUM COMFORT BUILT WITH VERSATILE AND ADAPTABLE DESIGN.  
MAXIMUM RIDING FUN FOR EVERY ADVENTURE.*

***Always stay in Ultimate Power with pure confidence.**  
Regardless Latest Model or classic design,  
whether equipped with power steering or 14-inch aluminum rim.  
With most powerful V-twin engine, Blade 1000 LT series can bring you  
with most exceptional performance on Earth.*

# BLADE 1000 LTX EPS



# BLADE 1000 LTX EPS

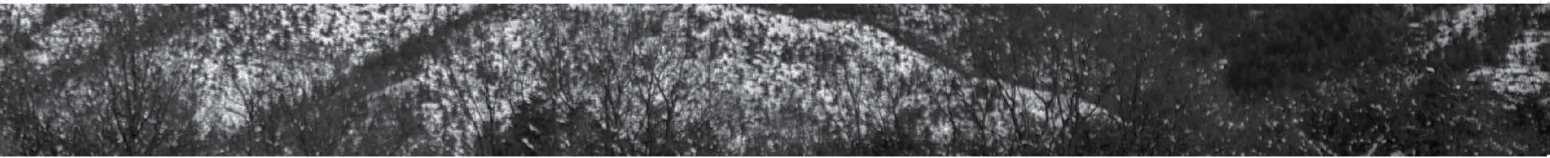
## **BLADE 1000 LTX : The Most Spectacular-Looking Quad Bike**

Equip with the most advance LED headlights and state of the art grill design. The New Blade 1000 LTX will be the spot light among the all. The 1000 LTX series come with the plastic rack providing maximum durability and excellent loading capability.

## **Advanced Technology with Premium Equipment**

Equipped with a 62kw (83 HP) powerful V-Twin Engine, controlled by class-leading engine management system. Blade 1000 features high ground clearance and adjustable suspension. With electric on-command 4WD/2WD and most durable CVT drive system will bring you excellent rider comfort on the toughest trial.





- Powerful V-Twin EFI Engine
- Four Wheel Independent Suspensions
- EVO (High Pressure Gas Internal) shock absorber
- EVOR (Piggyback Reservoir) shock absorber
- Sequential Drive Mode Shift
- Tri-Mode Dynamic Assistance Electronic Power Steering
- Lockable Front & Rear Differentials
- High-Performance Four Wheel Disc Brakes
- Gear Shift: L/H/N/R/P
- Sporty Style Exhaust System
- LED Headlamps and Daytime Running Lights
- LED Turn Signals, Taillights & Brake Lights
- Multifunctional Blue Backlight LCD Display
- Stylish and Sturdy Plastic Rack
- Extended Seat
- Passenger Holders and Large Backrest
- 14" Polished Aluminum Rims
- Front Bumper
- Winch
- Lockable Storage Compartments
- 2 12V On-Board Sockets
- 52° Approach Angle
- Detachable Hitch Ball
- Quick Removable Radiator Grille



Camo



Mountain Grey



Matte Black

**TGB**  
All-terrain



# BLADE 600





# BLADE 600



**A POWERFUL MACHINE  
WITH UNLIMITED DRIVING FUN**

**HIGH-PERFORMANCE ENGINE DESIGN FOR AGGRESSIVE RIDING EXPERIENCE AND ADVANCED INNOVATION TECHNOLOGY WITH HIGH-QUALITY FEATURES GET READY FOR YOUR NEXT ADVENTURE.**

***The ideal partner for every adventure.***

*BLADE 600 series equip with sophisticated EFI powertrain system. The on-command 4WD/2WD system can be activated by a push of the button. The electric power steering is specifically tuned for Blade 600 series. It provides the excellent control on the road and trail. Blade 600 series can be a best machine for your every adventure.*

# BLADE 600 LTX EPS



# BLADE 600 LTX EPS

## **Work & play**

No matter working in the farm or having a trial adventures with your family & friends. TGB Blade 600 LTX built with extended chassis providing bigger space for 2 passengers riding. It also equips with premium engine performance and on-command 4WD/2WD system. The all-purpose Blade 600 LTX will be your ideal partners for your next adventure.

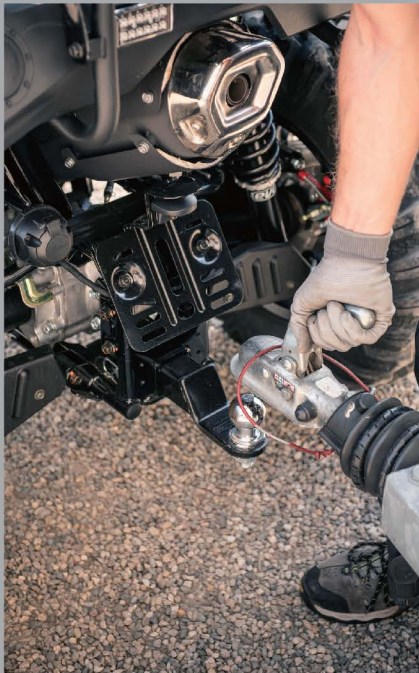
## **Complete equipment for extra riding experience**

Latest design full LED headlights, ergonomic seat, durable plastic rack, 14" aluminum rims, sportive exhaust, lockable storage box with 12V charger and much more. Blade 600 LTX is impeccable.





- Powerful Single-Cylinder EFI Engine
- Four Wheel Independent Suspensions
- Sequential Drive Mode Shift
- Tri-Mode Dynamic Assistance Electronic Power Steering
- Lockable Front&Rear Differential
- High-Performance Four Wheel Disc Brakes
- Gear Shift: L/H/N/R/P
- Sporty Style Exhaust System
- LED Headlamps and Daytime Running Lights
- LED Taillights & Brake Lights
- Multifunctional Blue Backlight LCD Display
- Stylish and Sturdy Plastic Rack
- Extended Seat
- Raised Passenger Footrest
- 14" Aluminum Rims
- Front Bumper
- Winch
- Lockable Storage Compartments
- 2 12V On-Board Sockets
- Detachable Hitch Ball
- Quick Removable Radiator Grille



Camo



Matte Black

# BLADE 600SE.X EPS



# BLADE 600 SE.X EPS

## **The Toughest & Powerful ATV built for you**

With new engineer inside out, Blade 600SE.X equipped with powerful 32kW (43HP) electronic fuel injection engine, electric on-command lockable front and rear differential, excellent control power steering.

## **Unlock Any Road**

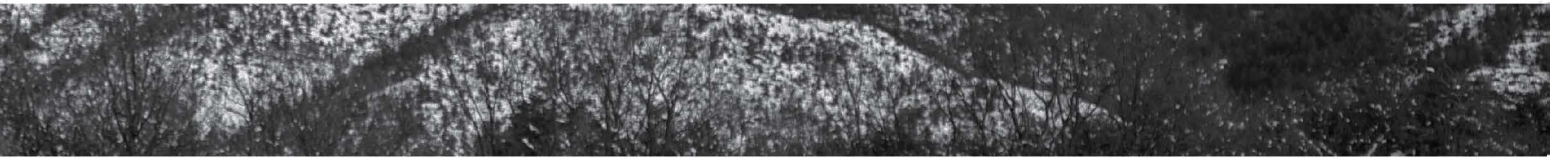
Blade 600SE.X has been the most versatile ATV in the industry. With its latest engineering design full LED headlight, it will increase the visibility by lighting up work area or down on the trail. The new front grill innovation makes the cleaning more accessible. Over thousands of people trusted, The Blade 600SE.X is a chance for you to play more and do more.



Mountain Grey



Candy Blue



- Powerful Single-Cylinder EFI Engine
- Four Wheel Independent Suspensions
- Sequential Drive Mode Shift
- Tri-Mode Dynamic Assistance Electronic Power Steering
- Lockable Front&Rear Differential
- High-Performance Four Wheel Disc Brakes
- Gear Shift: L/H/N/R/P
- Sporty Style Exhaust System
- LED Headlamps and Daytime Running Lights
- LED Taillights & Brake Lights
- Multifunctional Blue Backlight LCD Display
- Stylish and Sturdy Plastic Rack
- Raised Passenger Footrest
- 12" Aluminum Rims
- Front Bumper
- Winch
- Lockable Storage Compartments
- 2 12V On-Board Sockets
- Detachable Hitch Ball
- Quick Removable Radiator Grille



Candy Black



Candy Red

# BLADE 600 SL.X



# BLADE 600 SL.X

## **Touring and Exploring**

*Blade 600 SL.X is best suitable for any task and terrain.*

*With modern full LED Matrix headlights, upgraded CVT, high quality and durable chassis, and the powerful engine package, Blade 600 SL.X will be your everyday companion on the road, hill, and even the rough terrain.*

## **Great value for money**

*The biggest spotlight of Blade 600 SL.X is its powerful engine. The ATV is built for the speed, tight concerning and nimble handling. With its powerful engine, loading and hauling on everyday job or every adventure trip can be easy and enjoyable. Blade 600 SL.X is well known for its configuration. The double arched A-arms and 4WD functions to bring you the confident on every terrain.*





- *Powerful Single-Cylinder EFI Engine*
- *Four Wheel Independent Suspensions*
- *Sequential Drive Mode Shift*
- *Tri-Mode Dynamic Assistance Electronic Power Steering*
- *Lockable Front Differential*
- *High-Performance Four Wheel Disc Brakes*
- *Gear Shift: L/H/N/R/P*
- *Sporty Style Exhaust System*
- *LED Headlamps and Daytime Running Lights*
- *LED Taillights & Brake Lights*
- *Multifunctional Blue Backlight LCD Display*
- *Robust Steel Luggage Rack*
- *Raised Passenger Footrest*
- *12" Aluminum Rims*
- *Front Bumper*
- *Lockable Storage Compartments*
- *2 12V On-Board Sockets*
- *Detachable Hitch Ball*
- *Quick Removable Radiator Grille*



White



Red

**TGB**  
by different



# TARGET 600





# TARGET 600



**A POWERFUL MACHINE  
WITH UNLIMITED DRIVING FUN**

**A QUAD MAKES YOU PLAY DIFFERENT**

***Pure riding pleasure***

*With top performing fuel-efficient engine and smooth power characteristic to get maximum horsepower to the ground. Target 600 EPS will blow your mind on every different adventure.*

*The advanced geometric chassis design with unique vehicle behavior Target 600 EPS will be your most recognized Quad ever.*

# TARGET 600 EPS



# TARGET 600 EPS

## **The Race Begins**

*TGB Target series come with 4WD and EPS will soon become your favorite sportive ATV.*

*Design with black and yellow elements inspire its sporty DNA.*

*The specialized redesign chassis is much stiffer and stronger.*

*With TGB powerful engine, it provides top level of stability and ultimate performance when you need.*



Matte Black



- Powerful Single-Cylinder EFI Engine
- Four Wheel Independent Suspensions
- Sequential Drive Mode Shift
- Tri-Mode Dynamic Assistance Electronic Power Steering
- Lockable Front Differential
- High-Performance Four Wheel Disc Brakes
- Gear Shift: L/H/N/R/P
- Sporty Style Exhaust System
- Poly-Ellipsoid Headlamps
- LED Turn Signals, Taillights & Brake Lights
- Multifunctional Blue Backlight LCD Display
- Rear Plastic Rack (Sporty Style)
- Front Bumper
- Winch
- 12" Aluminum Rims
- 2 12V On-Board Sockets
- Detachable Hitch Ball



# TARGET 600



# TARGET 600

***The most stylish sporty ATV in the industry***

*TGB Target 600 will be the best choice for your sports ATV.*

*With easy handling operation,*

*state of arts double arch A-Arm optimized dive control and reduce the kickback.*





- Powerful Single-Cylinder EFI Engine
- Four Wheel Independent Suspensions
- Sequential Drive Mode Shift
- Lockable Front Differential
- High-Performance Four Wheel Disc Brakes
- Gear Shift: L/H/N/R/P
- Sporty Style Exhaust System
- Poly-Ellipsoid Headlamps
- LED Turn Signals, Taillights & Brake Lights
- Multifunctional Blue Backlight LCD Display
- Rear Plastic Rack (Sporty Type)
- Front Bumper
- Winch
- 12" Aluminum Rims
- 2 12V On-Board Sockets
- Detachable Hitch ball



White

MODEL	Blade 1000 LTX EPS	Blade 600 LTX EPS	Blade 600 SE.X EPS
<b>ENGINE &amp; DRIVETRAIN</b>			
Displacement	997 C.C. V-Twin	561 C.C.	561 C.C.
Engine Type	V-Twin Cylinder, SOHC	Single Cylinder, SOHC	Single Cylinder, SOHC
Fuel System	50 mm Throttle Body / EFI	42 mm Throttle Body / EFI	42 mm Throttle Body / EFI
Bore X Stroke	Ø 92 x 75.0 mm	Ø 95 x 79.2 mm	Ø 95 x 79.2 mm
Max Power	83HP / 7000rpm	44.8HP / 6500 rpm	44.8HP / 6500 rpm
Max Torque	89.9 Nm / 5500 rpm	46.5 Nm / 5500 rpm	46.5 Nm / 5500 rpm
Drive System	2WD / 4WD	2WD / 4WD	2WD / 4WD
Gear Selection	L / H / N / R / P	L / H / N / R / P	L / H / N / R / P
Transmission	V-belt CVT Automatic	V-belt CVT Automatic	V-belt CVT Automatic
Front Differential	YES	YES	YES
Rear Differential	YES	YES	YES
EPS	3 Mode EPS	3 Mode EPS	3 Mode EPS
<b>SUSPENSION &amp; BRAKES</b>			
Front Suspension	Double A-Arm with 22cm Travel	Double A-Arm with 22cm Travel	Double A-Arm with 22cm Travel
Rear Suspension	Double A-Arm with 26.5cm Travel & Anti-roll bar	Double A-Arm with 24cm Travel & Anti-roll bar	Double A-Arm with 24cm Travel & Anti-roll bar
Front Brake	Ø 200 mm discs with 2-piston clippers	Ø 200 mm discs with 1-piston clippers	Ø 200 mm discs with 1-piston clippers(Hand brake)
Rear Brake	Ø 190 mm discs with 1-piston clippers	Ø 190 mm discs with 1-piston clippers	Ø 190 mm discs with 1-piston clippers(Foot brake)
Shock absorber	EVO (red) (yellow)	Standard (blue)	Standard
<b>DIMENSIONS</b>			
Wheelbase (mm)	1460	1450	1290
Dimensions (mm) LxWxH	2340x1255x1265	2280x1230x1220	2120x1240x970
Dry weight (kg)	458	448	437
Fuel Capacity	23L	18L	18L
Ground Clearance (mm)	295	280	280
Seat Height (mm)	950	950	918
Front Tire	AT 26 x 9 - 14 MAXXIS BIG HORN	AT 26 x 9 - 14 MAXXIS BIG HORN	AT 25 x 8 - 12 6PLY KENDA BIG HORN
Rear Tire	AT 26 x 11 - 14 MAXXIS BIG HORN	AT 26 x 11 - 14 MAXXIS BIG HORN	AT 25 x 10 - 12 6PLY KENDA BIG HORN
wheel Rim	14" Alloy polished	14" Alloy Matt Black	mat black12"AL
<b>Capacity</b>			
Passenger Capacity	2	2	1
Payload Capacity	270KG (595LB)	270KG (595LB)	270KG (595LB)
Hitch Towing Rating	Unbraked: 230KG / Interia brake: 830KG	Unbraked: 230KG / Interia brake: 830KG	Unbraked: 230KG / Interia brake: 830KG
Hitch Vertical Max Load	35KG	35KG	35KG
Front Rack Max Load	45KG	45KG	45KG
Rear Rack Max Load	75KG	75KG	75KG
<b>INSTRUMENTS &amp; EQUIPMENT</b>			
Front Rack	plastic	Standard Equipment-Plastic	Standard Equipment-Plastic
Rear Rack	plastic	Standard Equipment-Plastic	Standard Equipment-Plastic
Front Bumper	Robust stylish front bumper	Robust stylish front bumper	Standard Equipment-Steel
Rear Handle	YES	YES	YES
Rear Bumper	Optional	Optional	Optional
Hand Guard	YES	YES	YES
Hitch Receiver	2" receiver	2" receiver	2" receiver
Hitch Ball	Optional	Optional	Optional
Winch	Standard Equipment-3000LB Winch	Standard Equipment-3000LB Winch	Standard Equipment-3000LB Winch
Passenger seat	Standard equipment	Standard equipment	N/A
Passenger backrest	Standard equipment	Standard equipment	Optional
Passenger holder	Standard equipment	Standard equipment	N/A
Mirrors	Optional	Optional	Optional
Windshield	Optional	Optional	Optional
Rear Cargo Box	Optional	Optional	Optional
Electrical Outlet Connector	1 DC 12V 10A 120W	1 DC 12V 10A 120W	1 DC 12V 10A 120W
Speedometer	Digital	Digital	Digital
Lighting	Whole LED Headlight & Taillight	Whole LED Headlight & Taillight	Whole LED Headlight & Taillight
Color	Matt black / Mountain Grey / CAMO	Matt Black / CAMO	Candy Black / Mountain Grey / Candy Blue / Candy Red

Blade 600 SL.X	Target 600 EPS	Target 600
561 C.C.	561 C.C.	561 C.C.
Single Cylinder, SOHC	Single Cylinder, SOHC	Single Cylinder, SOHC
42 mm Throttle Body / EFI	42 mm Throttle Body / EFI	42 mm Throttle Body / EFI
Ø 95 x 79.2 mm	Ø 95 x 79.2 mm	Ø 95 x 79.2 mm
44.8HP / 6500 rpm	44.8HP / 6500 rpm	44.8HP / 6500 rpm
46.5 Nm / 5500 rpm	46.5 Nm / 5500 rpm	46.5 Nm / 5500 rpm
2WD / 4WD	2WD / 4WD	2WD / 4WD
L / H / N / R / P	L / H / N / R / P	L / H / N / R / P
V-belt CVT Automatic	V-belt CVT Automatic	V-belt CVT Automatic
YES	YES	YES
N/A	N/A	N/A
N/A	3 Mode EPS	N/A
Double A-Arm with 22cm Travel	Double A-Arm with 22cm Travel	Double A-Arm with 22cm Travel
Double A-Arm with 24cm Travel & Anti-roll bar	Double A-Arm with 24cm Travel & Anti-roll bar	Double A-Arm with 24cm Travel & Anti-roll bar
Ø 200 mm discs with 1-piston clippers(Hand brake)	Ø 200 mm discs with 1-piston clippers(Hand brake)	Ø 200 mm discs with 1-piston clippers(Hand brake)
Ø 190 mm discs with 1-piston clippers(Foot brake)	Ø 190 mm discs with 1-piston clippers(Foot brake)	Ø 190 mm discs with 1-piston clippers(Foot brake)
Standard	Standard	Standard
1290	1290	1290
2120x1240x970	1950x1050x1180	1950x1050x1180
431	395KG	395KG
18L	18L	18L
280	280	280
918	950	950
AT 25 x 8 - 12 6PLY KENDA BIG HORN	AT 25 x 8 - 12 6PLY KENDA BIG HORN	AT 25 x 8 - 12 6PLY KENDA BIG HORN
AT 25 x 10 - 12 6PLY KENDA BIG HORN	AT 25 x 10 - 12 6PLY KENDA BIG HORN	AT 25 x 10 - 12 6PLY KENDA BIG HORN
mat black12"AL	mat black12"AL	mat black12"AL
1	1	1
270KG (595LB)	270KG (595LB)	270KG (595LB)
Unbraked: 230KG / Interia brake: 830KG	Unbraked: 230KG / Interia brake: 830KG	Unbraked: 230KG / Interia brake: 830KG
35KG	N/A	N/A
45KG	N/A	N/A
75KG	N/A	N/A
Standard Equipment-Steel	N/A	N/A
Standard Equipment-Steel	N/A	N/A
Standard Equipment-Steel	Standard Equipment-Steel	Standard Equipment-Steel
YES	N/A	N/A
Optional	N/A	N/A
YES	YES	YES
2" receiver	2" receiver	2" receiver
Optional	Optional	Optional
Optional 3000LB Winch	Standard Equipment-3000LB Winch	Optional 3000LB Winch
N/A	N/A	N/A
Optional	N/A	N/A
N/A	N/A	N/A
Optional	Optional	Optional
Optional	Optional	Optional
Optional	Optional	Optional
1 DC 12V 10A 120W	1 DC 12V 10A 120W	1 DC 12V 10A 120W
Digital	Digital	Digital
Whole LED Headlight & Taillight	Dual 55W High Beams, Dual 55W Low Beams	Dual 55W High Beams, Dual 55W Low Beams
White / Red	Matt Black	Pearl White



# ACCESSORIES

- *Soft Rear Cargo Box (50L)*



- *Rear Cargo Box (110L)*



- *Rear Cargo Box (135L)*



- *Winch Assy*





● *Windshield*



● *Hitch*



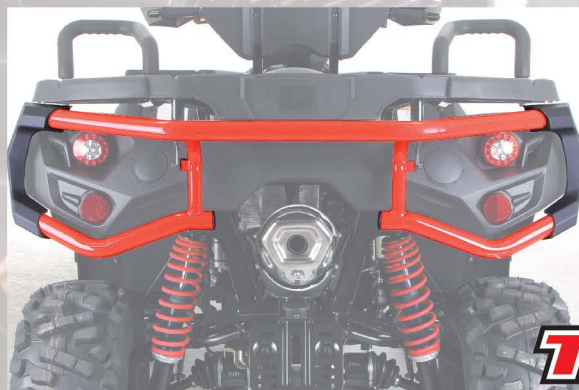
● *EVOR Shock Front / Rear*



● *Front Bumper*



● *Rear Bumper*





**TAIWAN GOLDEN BEE CO.,LTD.**

TEL:+886-7-6222101~6 FAX:+886-7-6222110 E-mail:moto@tgb.com.tw  
[www.tgb.com.tw](http://www.tgb.com.tw)

**TGB-USA**

TEL:(770)884-427 E-mail:sales@tigerpowersports.com  
[www.americantgb.com](http://www.americantgb.com)

[www.americantgb.com](http://www.americantgb.com)  
[americantgb@gmail.com](mailto:americantgb@gmail.com)